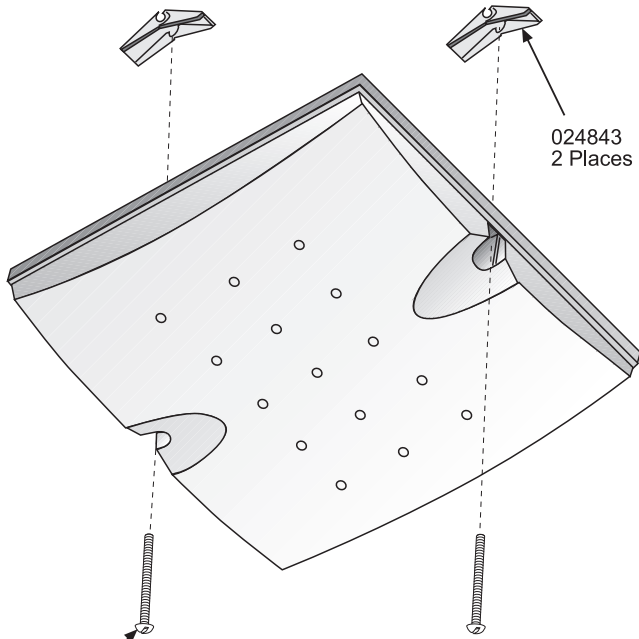


## SPECIFICATIONS

Model	SQ1713P	SQ1853P	SQ2303P
Frequency MHz:	1710-1880	1850-1990	2300-2500
Gain dBi:	3.5	3.5	3.5
VSWR:	1.5:1	1.5:1	1.5:1
E-Plane (3 dB beamwidth):	45° (Peak @ 53°)	45° (Peak @ 53°)	45° (Peak @ 53°)
Connector Type (f):	N	N	N
Polarization:	Linear	Linear	Linear
Antenna Weight lb. (kg):	.52 (.23)	.52 (.23)	.52 (.23)
Power watts:	50	50	50
Mounting:	Ceiling	Ceiling	Ceiling
Dimensions in.(cm):	6x6x1.25 (15.2x15.2x3.2)	6x6x1.25 (15.2x15.2x3.2)	6x6x1.25 (15.2x15.2x3.2)



024844 2 Places

Drill 5/32 diameter hole for screws (ANCHK mounting hardware included). Hardware shown is for suspended ceiling installation. Additional mounting hardware for sheetrock installation is included.

### LIMITED WARRANTY

Cushcraft Corporation, 48 Perimeter Road, Manchester, New Hampshire 03103, warrants to the original consumer purchaser for one year from date of purchase that each Cushcraft antenna is free of defects in material or workmanship. If, in the judgement of Cushcraft, any such antenna is defective, then Cushcraft Corporation will, at its option, repair or replace the antenna at its expense within thirty days of the date the antenna is returned (at purchasers expense) to Cushcraft or one of its authorized representatives. This warranty is in lieu of all other expressed warranties, any implied warranty is limited in duration to one year. Cushcraft Corporation shall not be liable for any incidental or consequential damages which may result from a defect. Some states do not allow limitations on how long an implied warranty lasts or exclusions or limitations of incidental or consequential damages, so the above limitation and exclusion may not apply to you. This warranty gives you specific legal rights, and you may also have other rights which vary from state to state. This warranty does not extend to any products which have been subject to misuse, neglect, accident or improper installation. Any repairs or alterations outside of the Cushcraft factory will nullify this warranty.

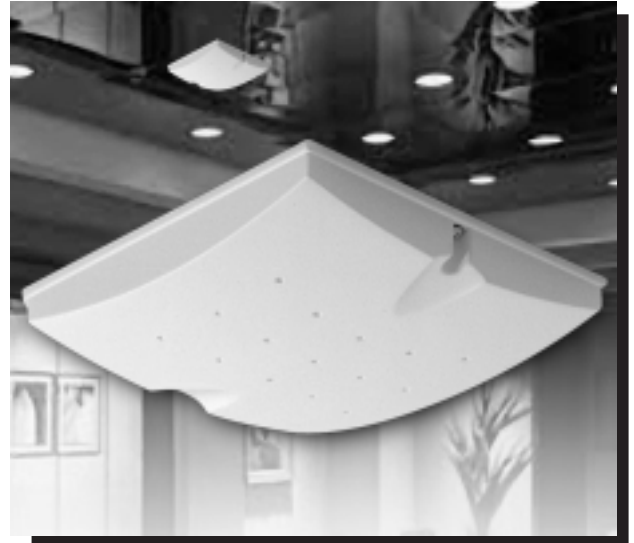


48 PERIMETER ROAD, MANCHESTER, NH 03103  
Tel: 603-627-7877 • Fax: 603-627-1764

e-mail: sales@cushcraft.com • website: www.cushcraft.com

# SQ1713P/SQ1853P SQ2303P

## ASSEMBLY AND INSTALLATION INSTRUCTIONS



Please read all instructions carefully before attempting to install and use this product.

### SAFETY

The antenna should be mounted permanently and securely on a ceiling surface in accordance with all installation instructions.

### LOCATION

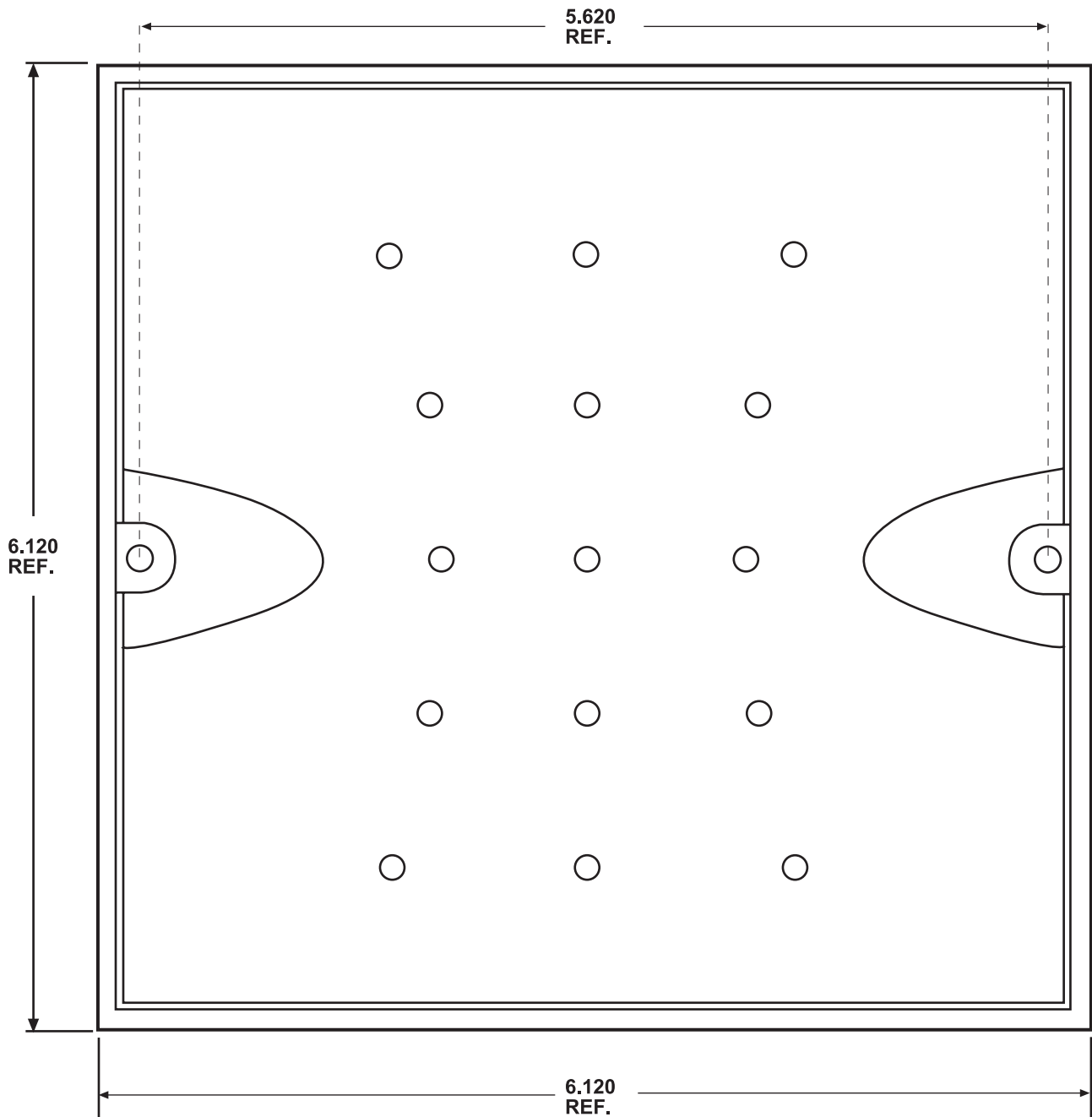
For best results, mount the antenna near the center of the coverage area. A line-of-sight path between the antenna and active floor locations generally works best. Although 2.4 GHz signals penetrate cubical dividers and interior walls with little attenuation, reinforced block walls, banks of metal cabinets, or steel shelving may attenuate signals or cause multipath—a condition where reflected signals interfere with the primary signal path. Avoid mounting next to a column or vertical support that could create a “shadow zone” of reduced coverage to one portion of the room.

### MOUNTING

The SQ1713P series of antennas radiate a vertically polarized signal in an omnidirectional pattern when mounted to a ceiling or other horizontal surface. The antenna should not be mounted to a wall. (See inside for mounting template).

# TA5FA

951509 5/02



For 6" x 6" Radome Housing

TA5FA